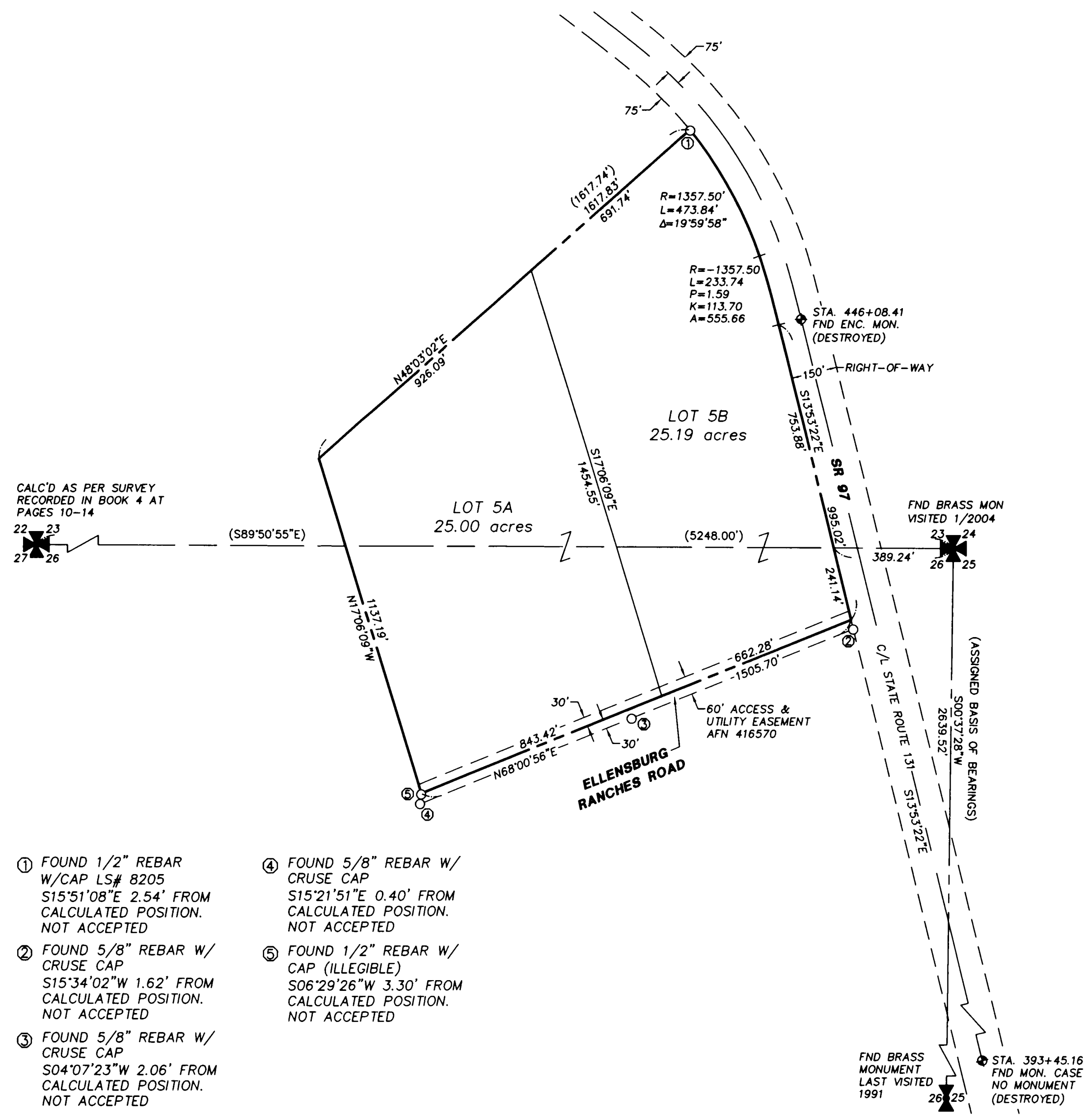
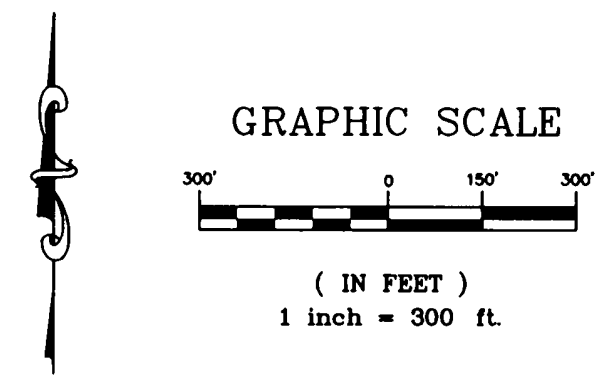


ADMINISTRATIVE SEGREGATION

PORTIONS OF THE SE 1/4 OF SEC. 23 & THE NE 1/4 SEC. 26, TOWNSHIP 19 NORTH, RANGE 17 EAST, W.M., KITITAS COUNTY, WASHINGTON.



ORIGINAL LEGAL DESCRIPTION:

LOT 5 OF THAT CERTAIN SURVEY AS RECORDED IN BOOK 4 OF SURVEYS AT PAGES 10-14, UNDER AUDITOR'S FILE No. 416570, RECORDS OF KITITAS COUNTY, STATE OF WASHINGTON.

NOTES:

1. THE PURPOSE OF THIS SURVEY IS TO DELINEATE THE BOUNDARY LINES OF LOT 5 OF THAT CERTAIN SURVEY AS RECORDED IN BOOK 4 AT PAGES 10-14, UNDER AUDITOR'S FILE No. 416570, RECORDS OF KITITAS COUNTY, STATE OF WASHINGTON, AND TO SEGREGATE SAID LOT 5 INTO TWO LOTS AS SHOWN HERON. IT WAS NOT WITHIN THE SCOPE OF THIS PROJECT TO SET THE PROPERTY CORNERS.
2. THIS SURVEY WAS PERFORMED USING A NIKON DTM-521 TOTAL STATION. THE CONTROLLING MONUMENTS AND PROPERTY CORNERS SHOWN HEREON WERE LOCATED, STAKED AND CHECKED FROM A CLOSED FIELD TRAVERSE IN EXCESS OF 1:10,000 LINEAR CLOSURE AFTER AZIMUTH ADJUSTMENT.
3. THIS SURVEY DOES NOT PURPORT TO SHOW ALL EASEMENTS OF RECORD OR OTHERWISE.
4. FOR SECTION SUBDIVISION, CORNER DOCUMENTATION AND ADDITIONAL SURVEY INFORMATION, SEE BOOK 4 OF SURVEYS AT PAGES 10-14, UNDER AUDITOR'S FILE No. 416570 AND BOOK 9 AT PAGE 7, UNDER AUDITOR'S FILE No. 453638 AND BOOK 28 AT PAGE 5, UNDER AUDITOR'S FILE No. 200208210005 AND BOOK 28 OF SURVEYS AT PAGE 53, UNDER AUDITOR'S FILE No. 200210240018 AND BOOK H OF SHORT PLATS AT PAGES 158 AND 159, UNDER AUDITOR'S FILE No. 200511290019, AND THE SURVEYS REFERENCED THEREON. THE BASIS OF BEARINGS SHOWN HEREON IS THE SAME AS SAID SHORT PLAT RECORDED IN BOOK H AT PAGES 158 AND 159.
5. THE SHOWN MONUMENTS FOR STATE ROUTE 131 (SR 97) WHERE LOCATED FOR THAT CERTAIN SURVEY AS RECORDED IN BOOK 30 OF SURVEYS AT PAGE 47, UNDER AUDITOR'S FILE No. 200404300093, KITITAS COUNTY, STATE OF WASHINGTON AND WHERE DESTROYED AND NOT RESET, AS SHOWN ON THAT CERTAIN SURVEY RECORDED IN BOOK 30 OF SURVEYS AT PAGES 249-252, UNDER AUDITOR'S FILE No. 200502020003, RECORDS OF KITITAS COUNTY, STATE OF WASHINGTON.

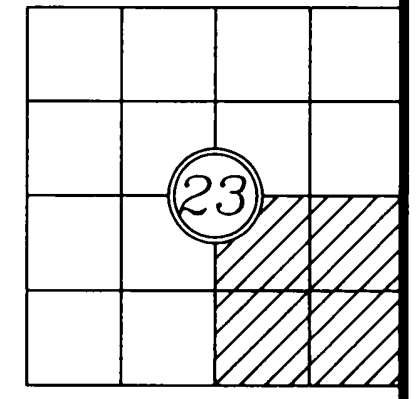
CALC'D AS PER SURVEY RECORDED IN BOOK 4 AT PAGES 10-14

- ① FOUND 1/2" REBAR W/CAP LS# 8205 S15°51'08"W 2.54' FROM CALCULATED POSITION. NOT ACCEPTED
- ② FOUND 5/8" REBAR W/ CRUSE CAP S15°34'02"W 1.62' FROM CALCULATED POSITION. NOT ACCEPTED
- ③ FOUND 5/8" REBAR W/ CRUSE CAP S04°07'23"W 2.06' FROM CALCULATED POSITION. NOT ACCEPTED
- ④ FOUND 5/8" REBAR W/ CRUSE CAP S15°21'51"E 0.40' FROM CALCULATED POSITION. NOT ACCEPTED
- ⑤ FOUND 1/2" REBAR W/ CAP (ILLEGIBLE) S06°29'26"W 3.30' FROM CALCULATED POSITION. NOT ACCEPTED

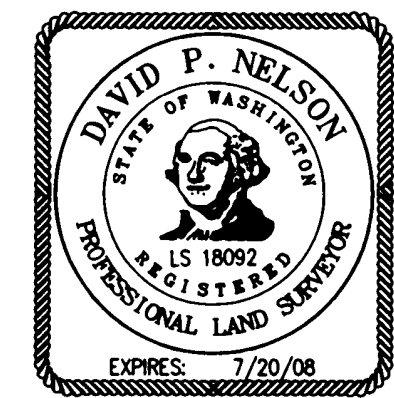
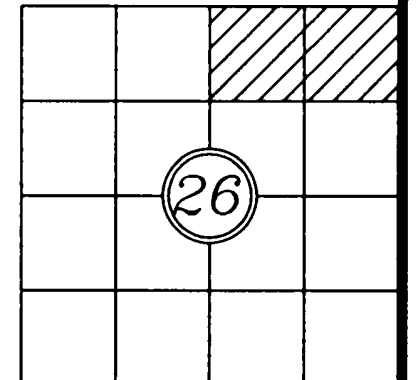
LEGEND

- ✠ SECTION CORNER AS NOTED
- ⊕ QUARTER CORNER AS NOTED
- SET 1/2" REBAR
- FND REBAR
- ⊕ FND MONUMENT (DESTROYED)
- () RECORD DATA
- SECTION LINE

INDEX LOCATION:
SEC. 23 T. 19N. R. 17E. W.M.



INDEX LOCATION:
SEC. 26 T. 19N. R. 17E. W.M.



RECORDER'S CERTIFICATE 200707030022
Filed for record this 3rd day of July 2007 at 1:35 PM in book 24 of Surveys at page 17 at the request of DAVID P. NELSON, Surveyor's Name. JERALD V. PETTIT, County Auditor.

SURVEYOR'S CERTIFICATE
This map correctly represents a survey made by me or under my direction in conformance with the requirements of the Survey Recording Act at the request of BILL GORDON in JULY 2007. DAVID P. NELSON, DATE 07/29/07. Certificate No. 18092.

Encompass
ENGINEERING & SURVEYING
108 EAST 2ND STREET
CLE ELUM, WA 98922
PHONE: (509) 674-7433
FAX: (509) 674-7419

ADMINISTRATIVE SEGREGATION SURVEY		
PREPARED FOR BILL GORDON		
PORTIONS OF THE SE 1/4 OF SEC. 23 & THE NE 1/4 OF SEC. 26 TOWNSHIP 19 NORTH, RANGE 17 EAST, W.M. KITITAS COUNTY WASHINGTON		
DWN BY T. ROLETTO	DATE 07/2007	JOB NO. 07115
CHKD BY D. NELSON	SCALE 1"=300'	SHEET 1 OF 1